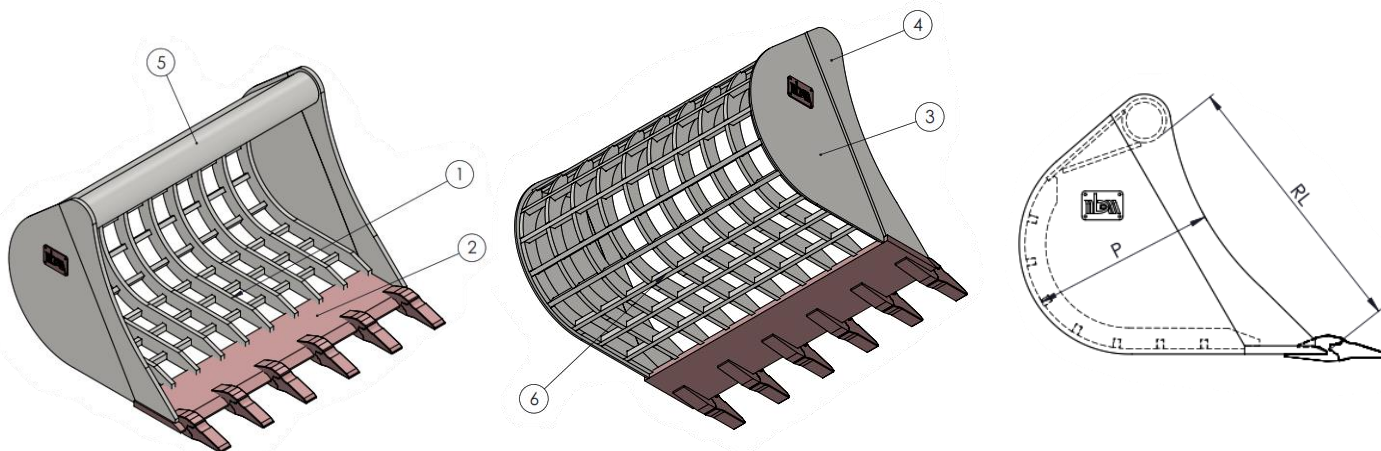


SKELETON BUCKET

BENNA GRIGLIATA - GODET GRILLE



■ MATERIAL - MATERIALE - MATÉRIEL
 ■ THICKNESS (MM) - SPESSORE (MM) - ÉPAISSEUR (MM)
 ■ TOOTH - DENTE - DENT

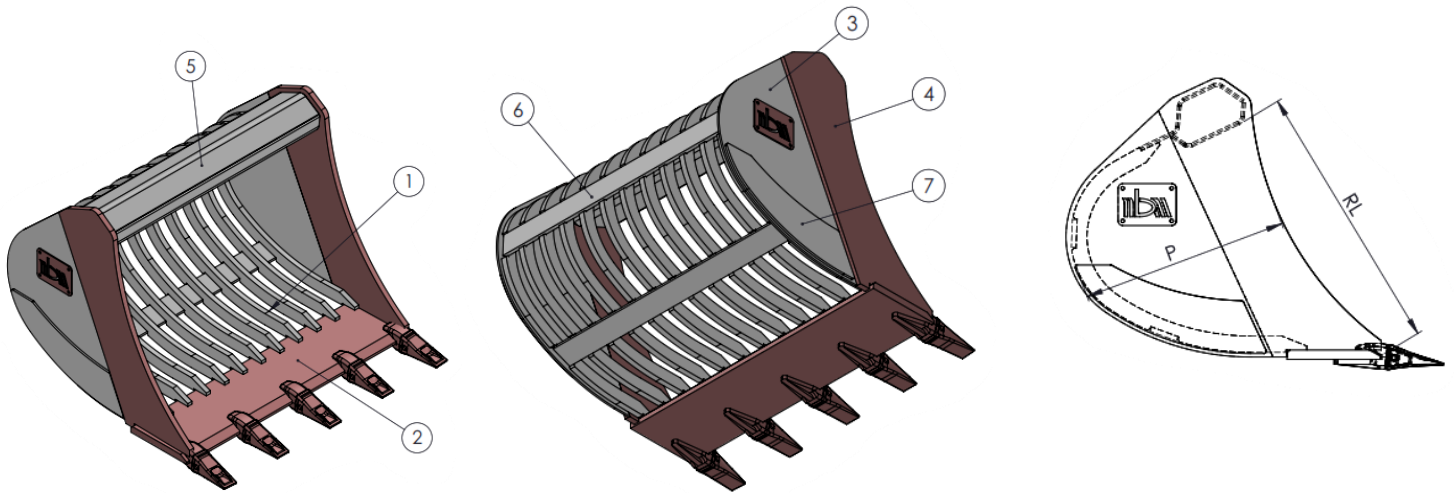
	1	2	3	4	5	6
■	S355J0	EN250	S355J0	S355J0	S355J0	S355J0
■	20	30	6	20	Ø127X14	20
■	CAT J300 - ESCO U25 - FEURST FK4 - COMBI R14					

NB 08 CLASS GR 10,1 - 12,5 TONS

CODE CODICE	WIDTH (MM) LARGHEZZA (MM)	TEETH NR NR DENTI	MASS (KC) MASSA (KG)	CAP SAE (L) CAP SAE (L)	RL (mm)	P (mm)
NB08GR900	900	5	406	362	805	530
NB08GR1000	1000	5	441	413		
NB08GR1100	1100	6	465	465		

EXCAVATORS - ESCAVATORI - PELLE

SKELETON BUCKET - BENNA GRIGLIATA - GODET GRILLE



▣ MATERIAL - MATERIALE - MATÉRIEL
 ▣ THICKNESS (MM) - SPESSORE (MM) - ÉPAISSEUR (MM)
 ▣ TOOTH - DENTE - DENT

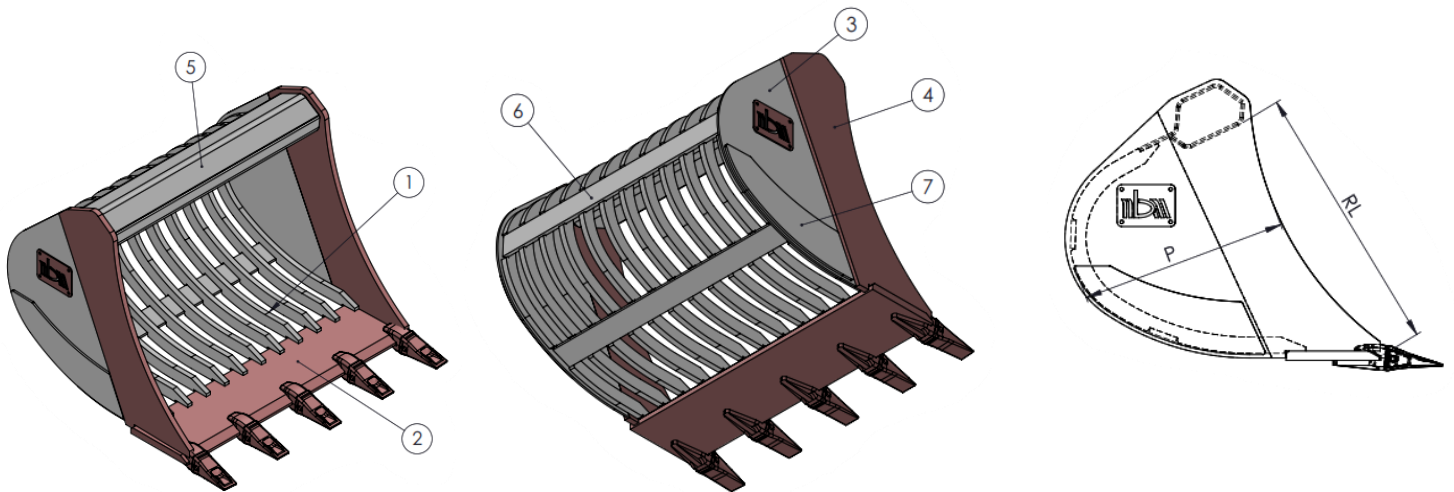
	1	2	3	4	5	6	V
▣	S355J0	HB450	S355J0	HB400	S355J0	S355J0	S355J0
▣	25	30	8	20	12	20	8
▣	CAT J300 - ESCO U25 - FEURST FK4 - COMBI R14						

NB 09 CLASS GR 12,6 - 16 TONS

CODE CODICE	WIDTH (MM) LARGHEZZA (MM)	TEETH NR NR DENTI	MASS (KC) MASSA (KG)	CAP SAE (L) CAP SAE (L)	RL (mm)	P (mm)
NB09GR1000	1000	5	494	517	810	670
NB09GR1200	1200	6	540	647		

EXCAVATORS - ESCAVATORI - PELLE

SKELETON BUCKET - BENNA GRIGLIATA - GODET GRILLE



▣ MATERIAL - MATERIALE - MATÉRIEL
 ▣ THICKNESS (MM) - SPESSORE (MM) - ÉPAISSEUR (MM)
 ▣ TOOTH - DENTE - DENT

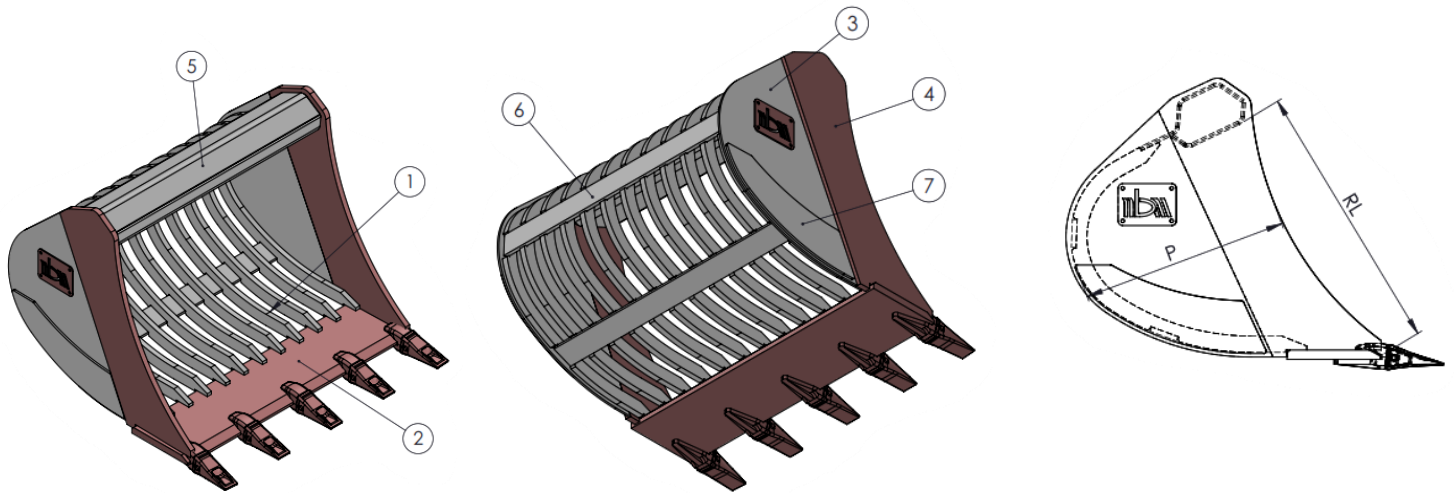
	1	2	3	4	5	6	V
▣	S355J0	HB400	S355J0	HB400	S355J0	S355J0	S355J0
▣	25	30	8	20	12	20	10
▣	CAT J300 - ESCO U25 - FEURST FK4 - COMBI R14						

NB 10 CLASS GR 16,1 - 19 TONS

CODE CODICE	WIDTH (MM) LARGHEZZA (MM)	TEETH NR NR DENTI	MASS (KC) MASSA (KG)	CAP SAE (L) CAP SAE (L)	RL (mm)	P (mm)
NB10GR1000	1000	4	574	586	875	680
NB10GR1200	1200	5	641	734		
NB10GR1300	1300	5	699	809		
NB11GR1500	1500	6	860	1255		

EXCAVATORS - ESCAVATORI - PELLE

SKELETON BUCKET - BENNA GRIGLIATA - GODET GRILLE



▣ MATERIAL - MATERIALE - MATÉRIEL
 ▣ THICKNESS (MM) - SPESSORE (MM) - ÉPAISSEUR (MM)
 ▣ TOOTH - DENTE - DENT

	1	2	3	4	5	6	7
▣	S355J0	HB400	S355J0	HB400	S355J0	S355J0	S355J0
▣	30	30	8	25	15	20	10
▣	CAT J300 - ESCO U30 - FEURST FK5 - COMBI R14						

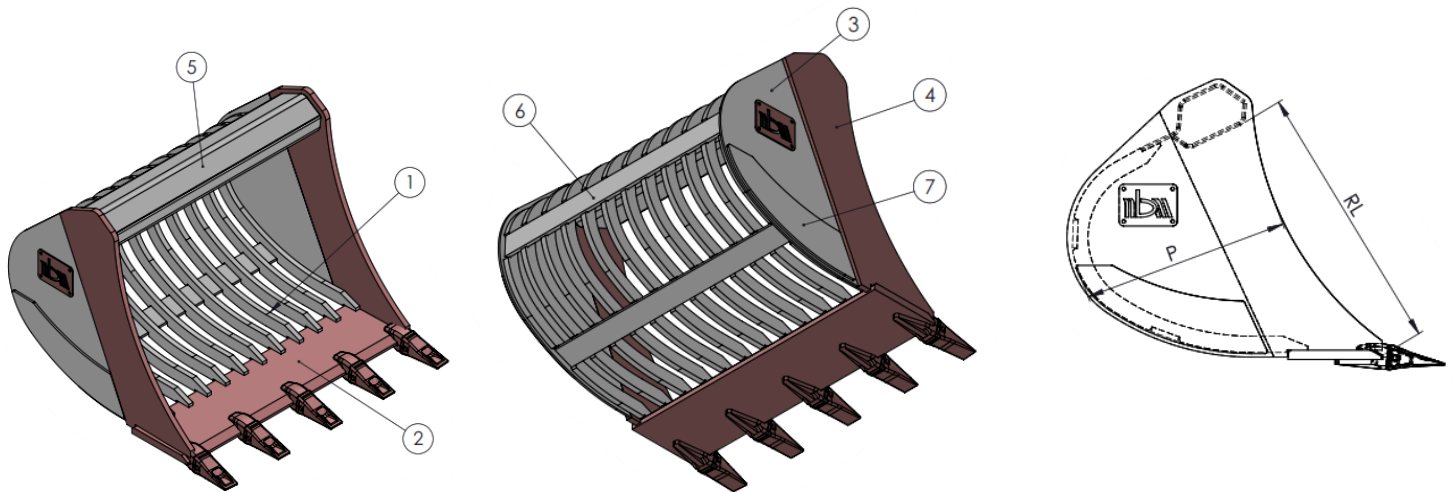
NB 11 CLASS GR

19,1 - 23 TONS

CODE CODICE	WIDTH (MM) LARGHEZZA (MM)	TEETH NR NR DENTI	MASS (KC) MASSA (KG)	CAP SAE (L) CAP SAE (L)	RL (mm)	P (mm)
NB11GR1000	1000	4	783	704	965	780
NB11GR1200	1200	5	866	882		
NB11GR1300	1300	5	921	971		
NB11GR1500	1500	6	995	1153		

EXCAVATORS - ESCAVATORI - PELLE

SKELETON BUCKET - BENNA GRIGLIATA - GODET GRILLE



▣ MATERIAL - MATERIALE - MATÉRIEL
 ▣ THICKNESS (MM) - SPESSORE (MM) - ÉPAISSEUR (MM)
 ▣ TOOTH - DENTE - DENT

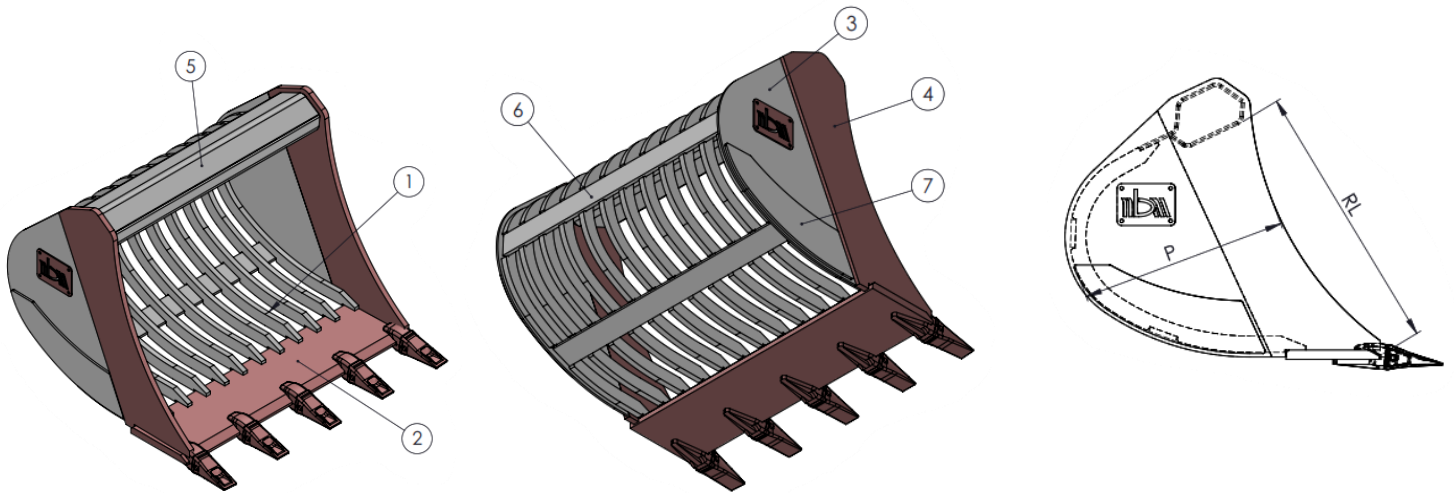
	1	2	3	4	5	6	7
▣	S355J0	HB400	S355J0	HB400	S355J0	S355J0	S355J0
▣	30	35	10	25	15	20	10
▣	CAT J350 - ESCO U30 - FEURST FK5 - COMBI R18						

NB 12 CLASS GR 23,1 - 26 TONS

CODE CODICE	WIDTH (MM) LARGHEZZA (MM)	TEETH NR NR DENTI	MASS (KC) MASSA (KG)	CAP SAE (L) CAP SAE (L)	RL (mm)	P (mm)
NB12GR1000	1000	4	822	810	1110	880
NB12GR1200	1200	5	929	1023		
NB12GR1300	1300	5	988	1131		
NB12GR1500	1500	6	1085	1346		

EXCAVATORS - ESCAVATORI - PELLE

SKELETON BUCKET - BENNA GRIGLIATA - GODET GRILLE



▣ MATERIAL - MATERIALE - MATÉRIEL
 ▣ THICKNESS (MM) - SPESSORE (MM) - ÉPAISSEUR (MM)
 ▣ TOOTH - DENTE - DENT

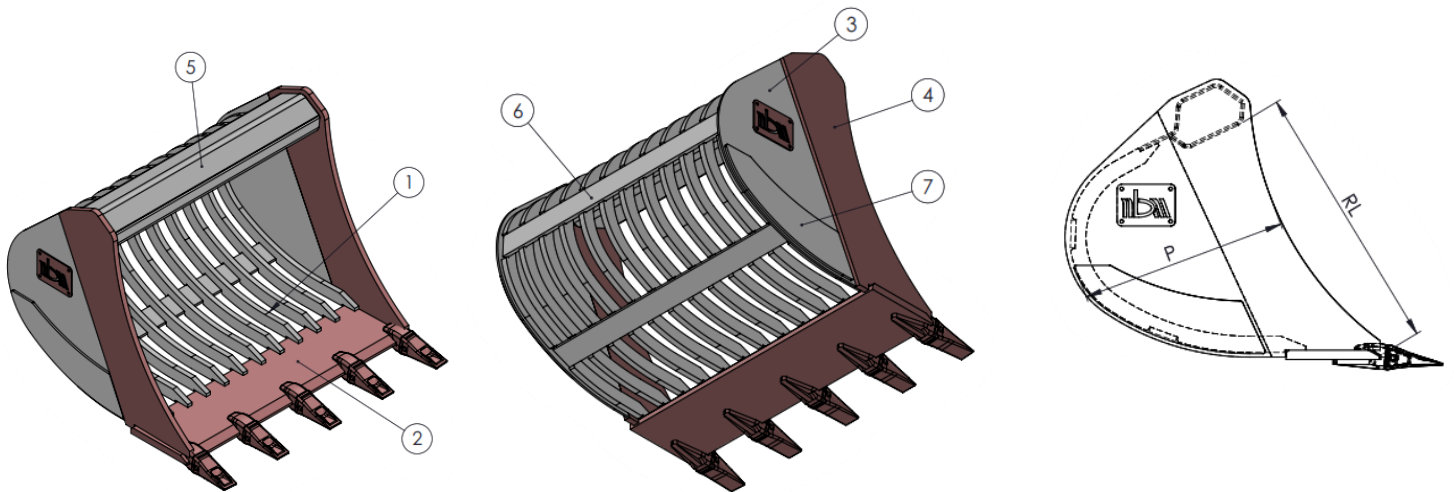
	1	2	3	4	5	6	7
▣	S355J0	HB400	S355J0	HB400	S355J0	S355J0	S355J0
▣	30	40	10	30	20	20	12
▣	CAT J350 - ESCO U35 - FEURST FK7 - COMBI R18						

NB 13 CLASS GR 26,1 - 31 TONS

CODE CODICE	WIDTH (MM) LARGHEZZA (MM)	TEETH NR NR DENTI	MASS (KC) MASSA (KG)	CAP SAE (L) CAP SAE (L)	RL (mm)	P (mm)
NB13GR1000	1000	4	1097	1015	1170	895
NB13GR1200	1200	5	1201	1266		
NB13GR1300	1300	5	1262	1393		
NB13GR1500	1500	6	1377	1660		

EXCAVATORS - ESCAVATORI - PELLE

SKELETON BUCKET - BENNA GRIGLIATA - GODET GRILLE



■ MATERIAL - MATERIALE - MATÉRIEL
 ■ THICKNESS (MM) - SPESSORE (MM) - ÉPAISSEUR (MM)
 ■ TOOTH - DENTE - DENT

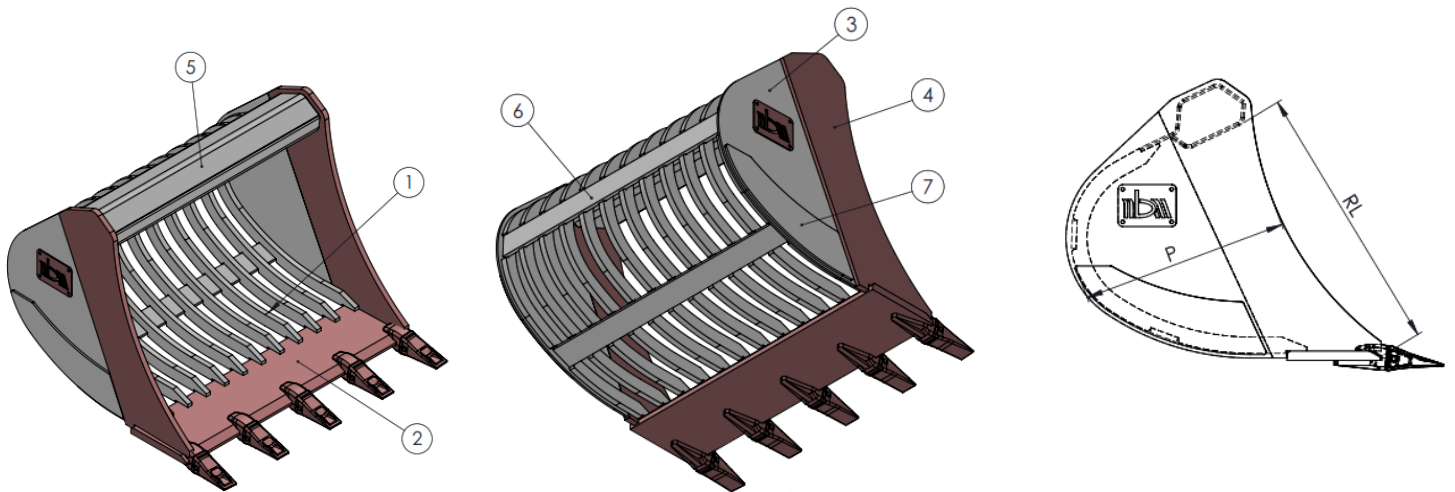
	1	2	3	4	5	6	7
■	S355J0	HB400	S355J0	HB400	S355J0	S355J0	S355J0
■	30	40	12	30	20	20	12
■	CAT J400 - ESCO U40 - FEURST FK9 - COMBI R23						

NB 14 CLASS GR 31,1 - 38 TONS

CODE CODICE	WIDTH (MM) LARGHEZZA (MM)	TEETH NR NR DENTI	MASS (KC) MASSA (KG)	CAP SAE (L) CAP SAE (L)	RL (mm)	P (mm)
NB14GR1000	1000	4	1298	1140	1220	960
NB14GR1200	1200	5	1402	1426		
NB14GR1300	1300	5	1468	1570		
NB14GR1500	1500	6	1617	1861		
NB14GR1600	1600	6	1704	2005		

EXCAVATORS - ESCAVATORI - PELLE

SKELETON BUCKET - BENNA GRIGLIATA - GODET GRILLE



▣ MATERIAL - MATERIALE - MATÉRIEL
 ▣ THICKNESS (MM) - SPESSORE (MM) - ÉPAISSEUR (MM)
 ▣ TOOTH - DENTE - DENT

	1	2	3	4	5	6	7
▣	S355J0	HB400	S355J0	HB400	S355J0	S355J0	S355J0
▣	35	40	12	30	20	20	12
▣	CAT J400 - ESCO U40 - FEURST FK9 - COMBI R23						

NB 15 CLASS GR 38,1 - 43 TONS

CODE CODICE	WIDTH (MM) LARGHEZZA (MM)	TEETH NR NR DENTI	MASS (KC) MASSA (KG)	CAP SAE (L) CAP SAE (L)	RL (mm)	P (mm)
NB15GR1000	1000	4	1322	1229	1325	1020
NB15GR1200	1200	4	1448	1546		
NB15GR1300	1300	5	1594	1707		
NB15GR1500	1500	5	1723	2030		
NB15GR1600	1600	5	1841	2192		