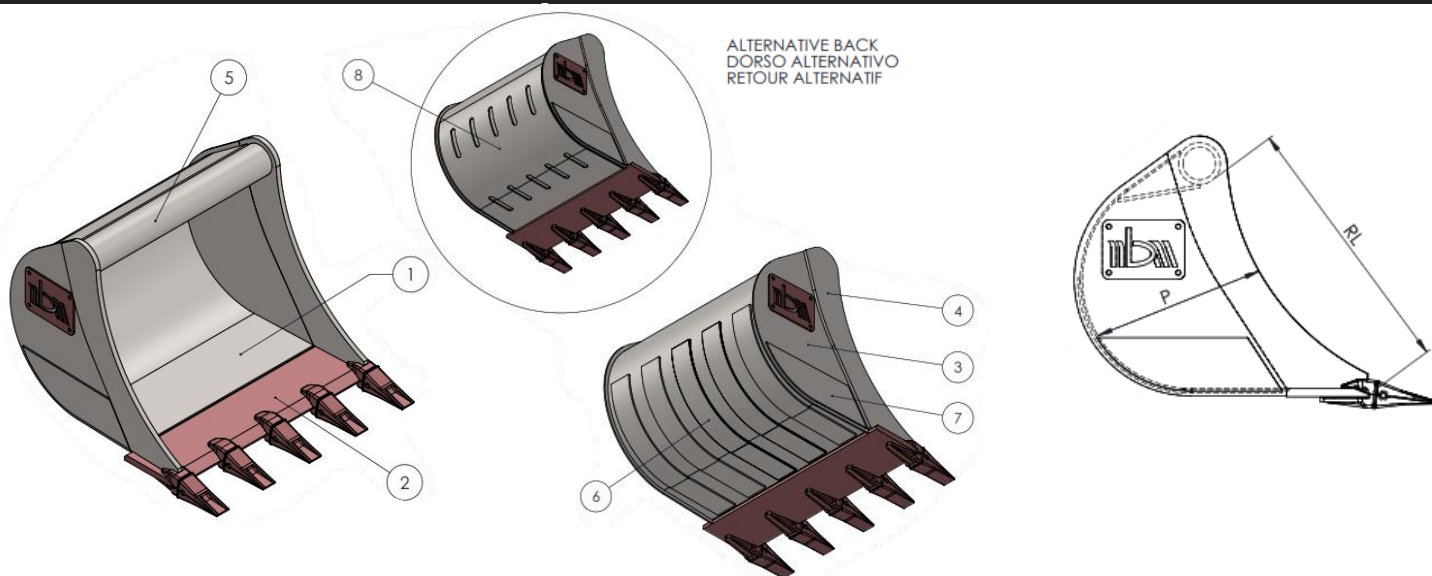


GENERAL PURPOSE BUCKET

BENNA STANDARD - GODET STANDARD



ALTERNATIVE BACK
DORSO ALTERNATIVO
RETOUR ALTERNATIF

MATERIAL - MATERIALE - MATÉRIEL THICKNESS (MM) - SPESSORE (MM) - ÉPAISSEUR (MM) TOOTH - DENTE - DENT

1	2	3	4	5	6	V	8
S355J0	HB250	S355J0	S355J0	S355J0	S355J0	S355J0	S355J0
6	25	6	20	Ø127X14	8	6	8

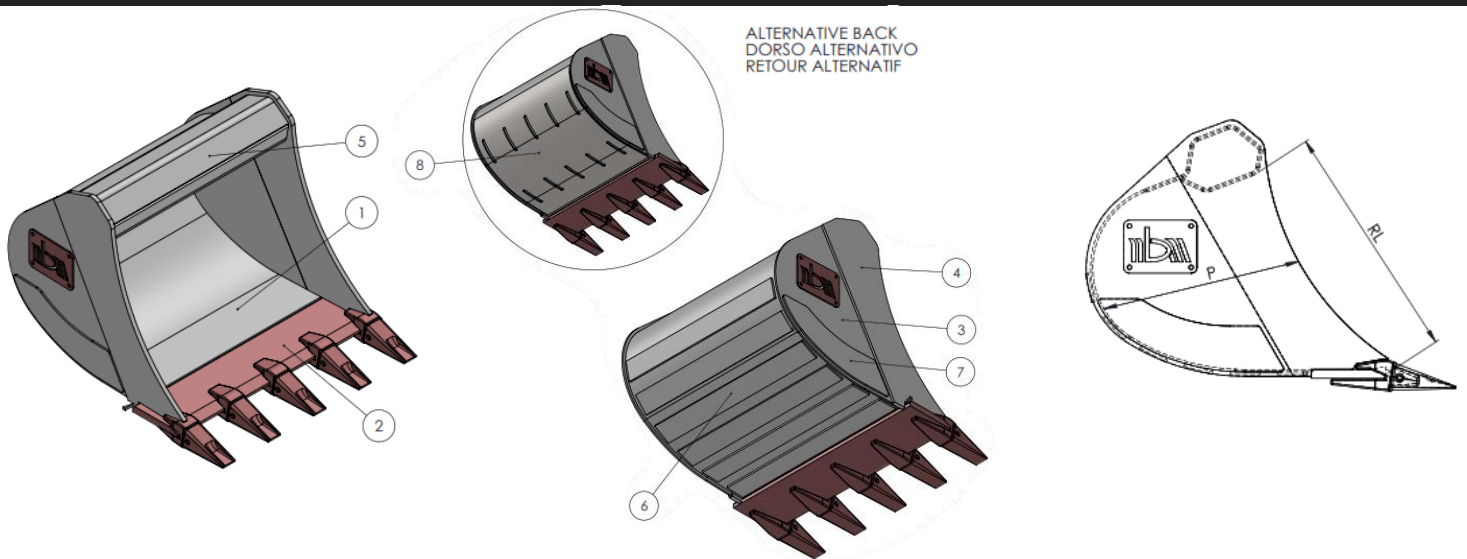
CAT J250 - ESCO U20 - FEURST FK3 - COMBI R10

NB 08 CLASS ST 10,1 - 12,5 TONS

CODE CODICE	WIDTH (MM) LARGHEZZA (MM)	TEETH NR NR DENTI	MASS (KC) MASSA (KG)	CAP SAE (L) CAP SAE (L)	RL (mm)	P (mm)
NB08ST300	300	3	163	80	805	530
NB08ST400	400	3	187	120		
NB08ST500	500	3	208	165		
NB08ST600	600	4	227	209		
NB08ST700	700	4	260	259		
NB08ST800	800	4	280	310		
NB08ST900	900	5	300	362		
NB08ST1000	1000	5	320	413		
NB08ST1100	1100	6	340	465		
NB08ST1200	1200	6	360	517		

EXCAVATORS - ESCAVATORI - PELLE

GENERAL PURPOSE BUCKET - BENNA STANDARD - GODET STANDARD



MATERIAL - MATERIALE - MATÉRIEL THICKNESS (MM) - SPESSORE (MM) - ÉPAISSEUR (MM) TOOTH - DENTE - DENT

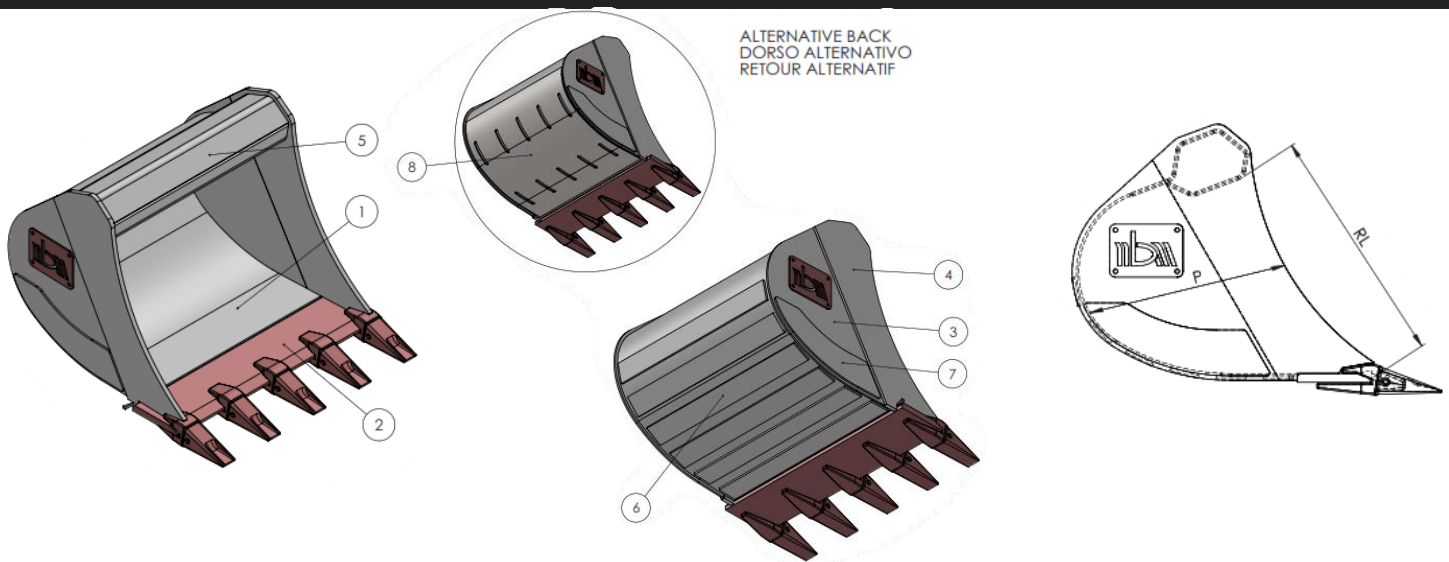
	1	2	3	4	5	6	V	8
	S355J0	HB400	S355J0	S355J0	S355J0	S355J0	S355J0	S355J0
	8	30	8	20	12	8	8	8
	CAT J300 - ESCO U25S - FEURST FK4 TRL - COMBI R14							

NB 09 CLASS ST 12,6 - 16 TONS

CODE CODICE	WIDTH (MM) LARGHEZZA (MM)	TEETH NR NR DENTI	MASS (KC) MASSA (KG)	CAP SAE (L) CAP SAE (L)	RL (mm)	P (mm)
NB09ST400	400	3	278	144	810	670
NB09ST500	500	3	301	202		
NB09ST600	600	3	328	262		
NB09ST700	700	4	378	325		
NB09ST800	800	4	404	388		
NB09ST900	900	4	429	453		
NB09ST1000	1000	5	466	517		
NB09ST1100	1100	5	493	582		
NB09ST1200	1200	6	518	647		
NB09ST1300	1300	6	558	712		

EXCAVATORS - ESCAVATORI - PELLE

GENERAL PURPOSE BUCKET - BENNA STANDARD - GODET STANDARD



ALTERNATIVE BACK
DORSO ALTERNATIVO
RETOUR ALTERNATIF

MATERIAL - MATERIALE - MATÉRIEL THICKNESS (MM) - SPESSORE (MM) - ÉPAISSEUR (MM) TOOTH - DENTE - DENT

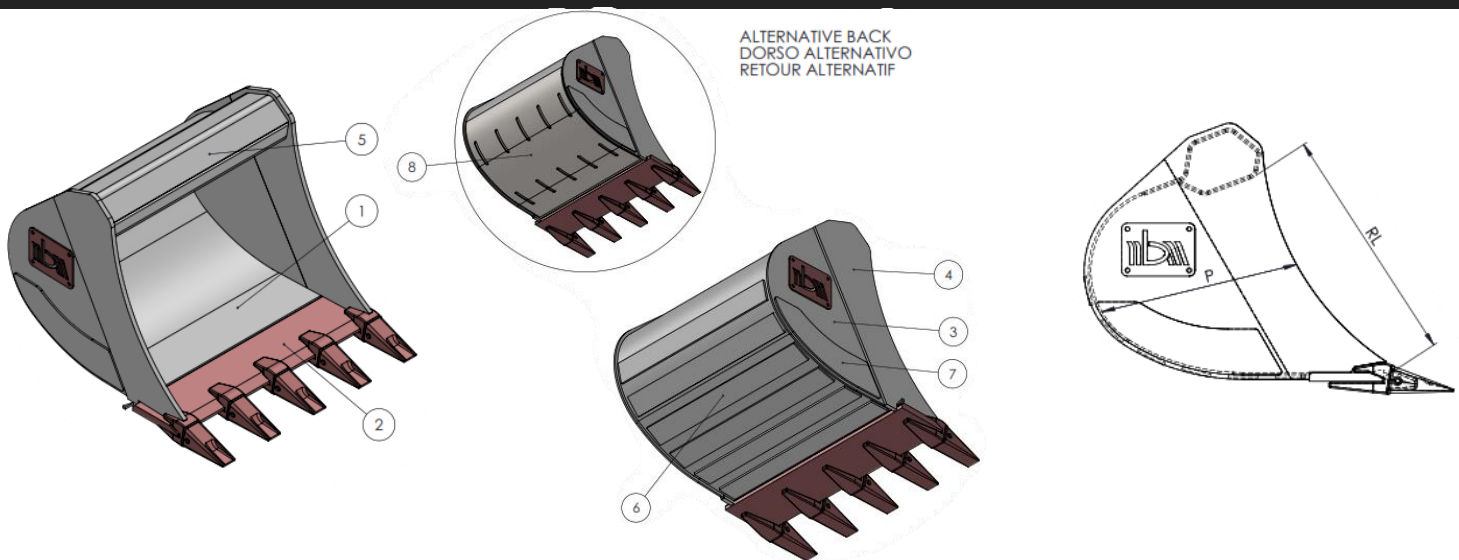
	1	2	3	4	5	6	V	8
	S355J0	HB400	S355J0	S355J0	S355J0	S355J0	S355J0	S355J0
	8	30	8	20	12	10	8	8
	CAT J300 - ESCO U30S - FEURST FK4 TLR - COMBI R14							

NB 10 CLASS ST 16,1 - 19 TONS

CODE CODICE	WIDTH (MM) LARGHEZZA (MM)	TEETH NR NR DENTI	MASS (KC) MASSA (KG)	CAP SAE (L) CAP SAE (L)	RL (mm)	P (mm)
NB10ST400	400	3	318	170	875	680
NB10ST500	500	3	340	232		
NB10ST600	600	3	374	297		
NB10ST700	700	3	431	374		
NB10ST800	800	3	467	443		
NB10ST900	900	4	493	514		
NB10ST1000	1000	4	537	586		
NB10ST1100	1100	5	570	660		
NB10ST1200	1200	5	601	734		
NB10ST1300	1300	5	652	809		
NB10ST1400	1400	5	716	885		

EXCAVATORS - ESCAVATORI - PELLE

GENERAL PURPOSE BUCKET - BENNA STANDARD - GODET STANDARD



MATERIAL - MATERIALE - MATÉRIEL THICKNESS (MM) - SPESSORE (MM) - ÉPAISSEUR (MM) TOOTH - DENTE - DENT

	1	2	3	4	5	6	V	8
	S355J0	HB400	S355J0	S355J0	S355J0	S355J0	S355J0	S355J0
	10	30	8	25	15	10	8	10
	CAT J300 - ESCO U30S - FEURST FK4 TLR - COMBI R14							

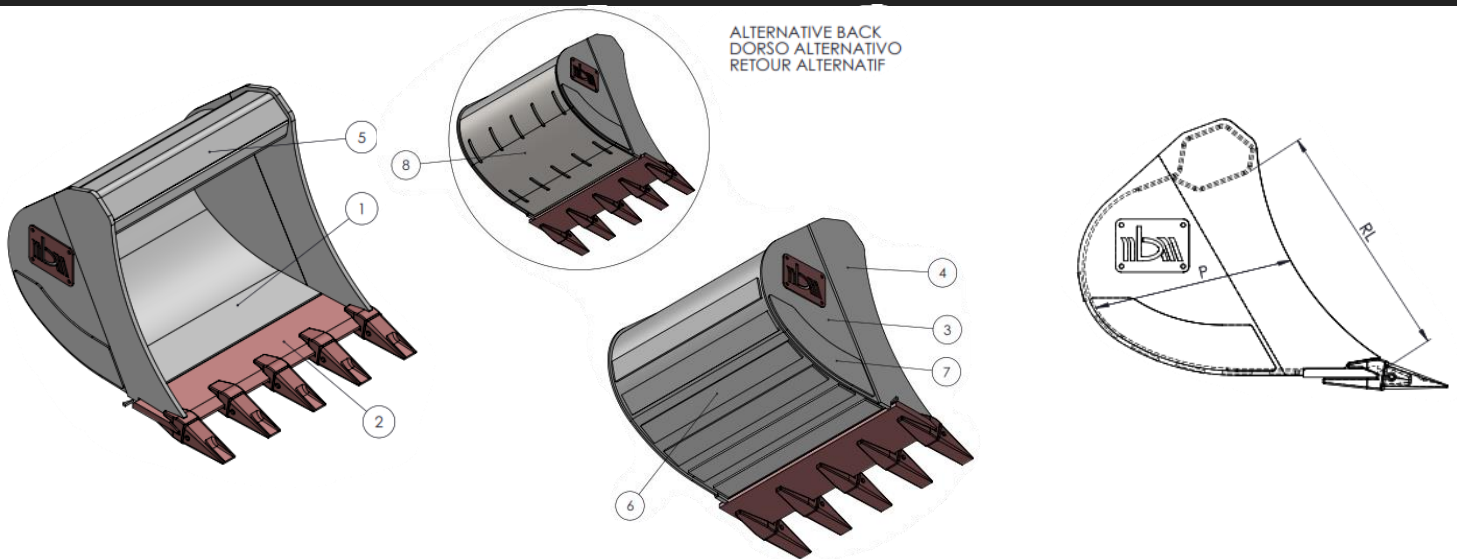
NB 11 CLASS ST

19,1 - 23 TONS

CODE CODICE	WIDTH (MM) LARGHEZZA (MM)	TEETH NR NR DENTI	MASS (KC) MASSA (KG)	CAP SAE (L) CAP SAE (L)	RL (mm)	P (mm)
NB11ST500	500	3	399	279	965	780
NB11ST600	600	3	439	357		
NB11ST700	700	3	496	436		
NB11ST800	800	4	571	535		
NB11ST900	900	4	594	619		
NB11ST1000	1000	4	665	704		
NB11ST1200	1200	5	742	882		
NB11ST1300	1300	5	780	971		
NB11ST1400	1400	5	818	1063		
NB11ST1500	1500	6	869	1153		

EXCAVATORS - ESCAVATORI - PELLE

GENERAL PURPOSE BUCKET - BENNA STANDARD - GODET STANDARD



ALTERNATIVE BACK
DORSO ALTERNATIVO
RETOUR ALTERNATIF

MATERIAL - MATERIALE - MATÉRIEL THICKNESS (MM) - SPESSORE (MM) - ÉPAISSEUR (MM) TOOTH - DENTE - DENT

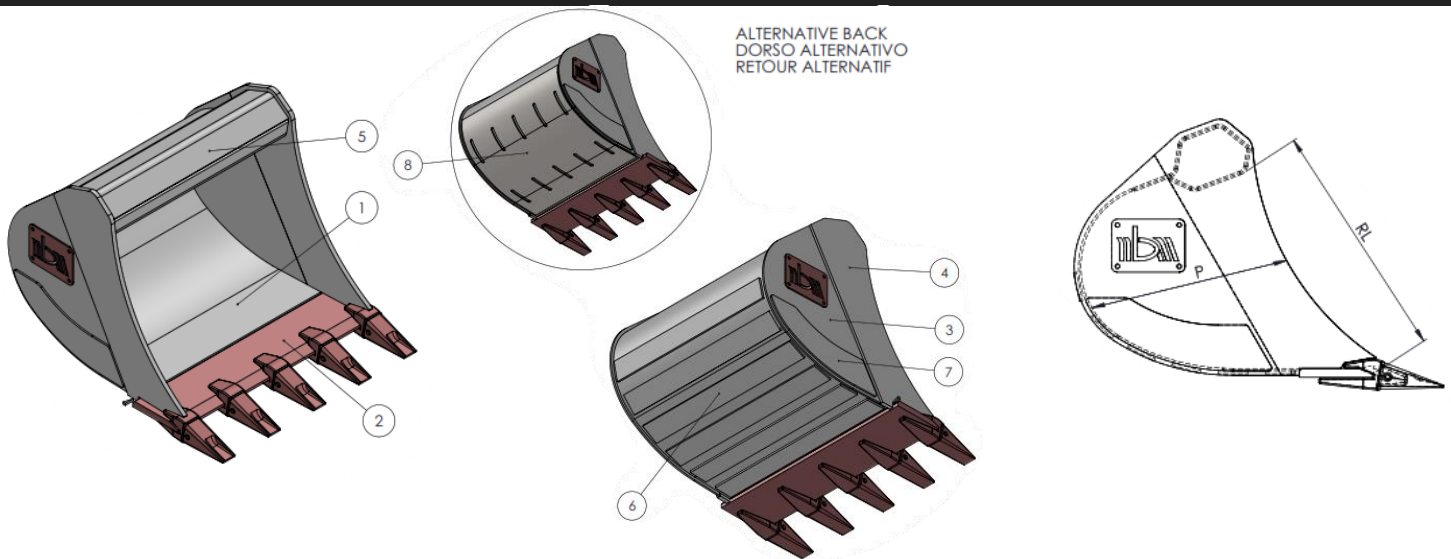
	1	2	3	4	5	6	V	8
	S355J0	HB400	S355J0	S355J0	S355J0	S355J0	S355J0	S355J0
	10	30	10	25	15	10	8	10
	CAT J300 - ESCO U30S - FEURST FK4 TLR - COMBI R14							

NB 12 CLASS ST 23,1 - 26 TONS

CODE CODICE	WIDTH (MM) LARGHEZZA (MM)	TEETH NR NR DENTI	MASS (KC) MASSA (KG)	CAP SAE (L) CAP SAE (L)	RL (mm)	P (mm)
NB12ST500	500	3	490	309	1110	880
NB12ST600	600	3	519	403		
NB12ST700	700	3	578	551		
NB12ST800	800	4	642	653		
NB12ST900	900	4	690	810		
NB12ST1000	1000	4	727	810		
NB12ST1200	1200	5	852	1023		
NB12ST1300	1300	5	874	1131		
NB12ST1400	1400	5	924	1238		
NB12ST1500	1500	6	972	1346		
NB12ST1600	1600	6	1056	1453		

EXCAVATORS - ESCAVATORI - PELLE

GENERAL PURPOSE BUCKET - BENNA STANDARD - GODET STANDARD



MATERIAL - MATERIALE - MATÉRIEL THICKNESS (MM) - SPESSORE (MM) - ÉPAISSEUR (MM) TOOTH - DENTE - DENT

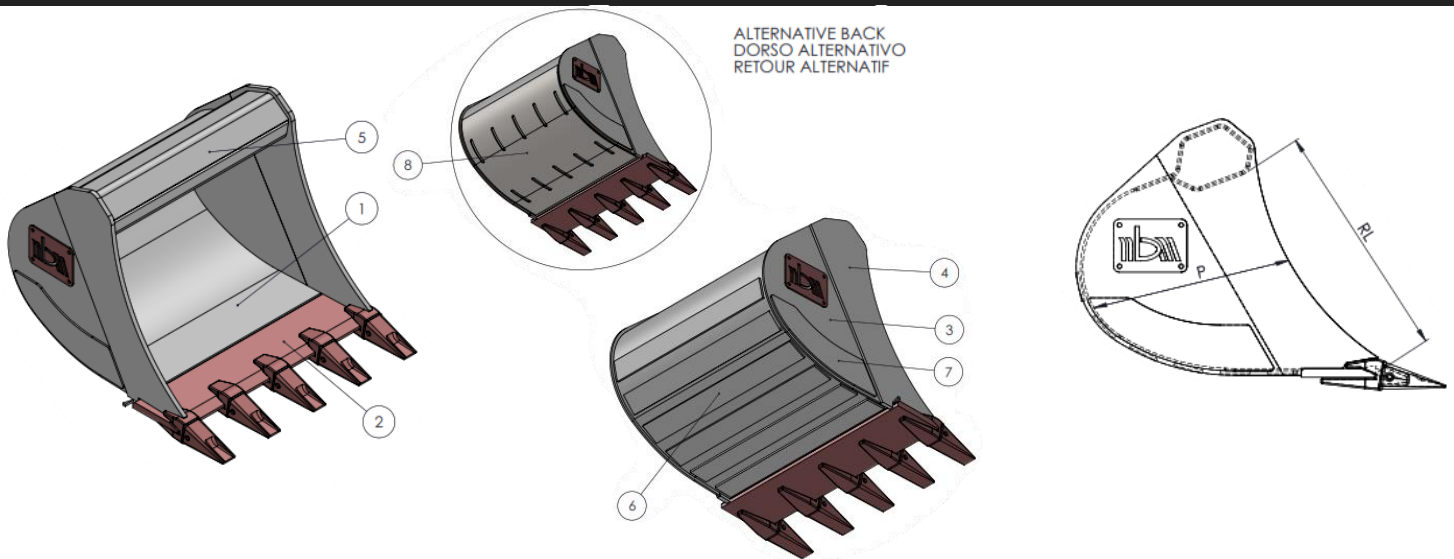
1	2	3	4	5	6	V	8
S355J0	HB400	S355J0	S355J0	S355J0	S355J0	S355J0	S355J0
10	40	10	30	15	12	10	10
CAT J350 - ESCO U35 - FEURST FK7 TLR - COMBI R18							

NB 13 CLASS ST 26,1 - 31 TONS

CODE CODICE	WIDTH (MM) LARGHEZZA (MM)	TEETH NR NR DENTI	MASS (KC) MASSA (KG)	CAP SAE (L) CAP SAE (L)	RL (mm)	P (mm)
NB13ST600	600	3	740	510	1170	895
NB13ST700	700	3	804	626		
NB13ST800	800	3	874	782		
NB13ST900	900	4	944	892		
NB13ST1000	1000	4	1019	1015		
NB13ST1200	1200	5	1101	1266		
NB13ST1300	1300	5	1167	1393		
NB13ST1400	1400	5	1199	1520		
NB13ST1500	1500	6	1271	1660		
NB13ST1600	1600	6	1310	1800		
NB13ST1700	1700	6	1369	1920		

EXCAVATORS - ESCAVATORI - PELLE

GENERAL PURPOSE BUCKET - BENNA STANDARD - GODET STANDARD



ALTERNATIVE BACK
DORSO ALTERNATIVO
RETOUR ALTERNATIF

MATERIAL - MATERIALE - MATÉRIEL THICKNESS (MM) - SPESSORE (MM) - ÉPAISSEUR (MM) TOOTH - DENTE - DENT

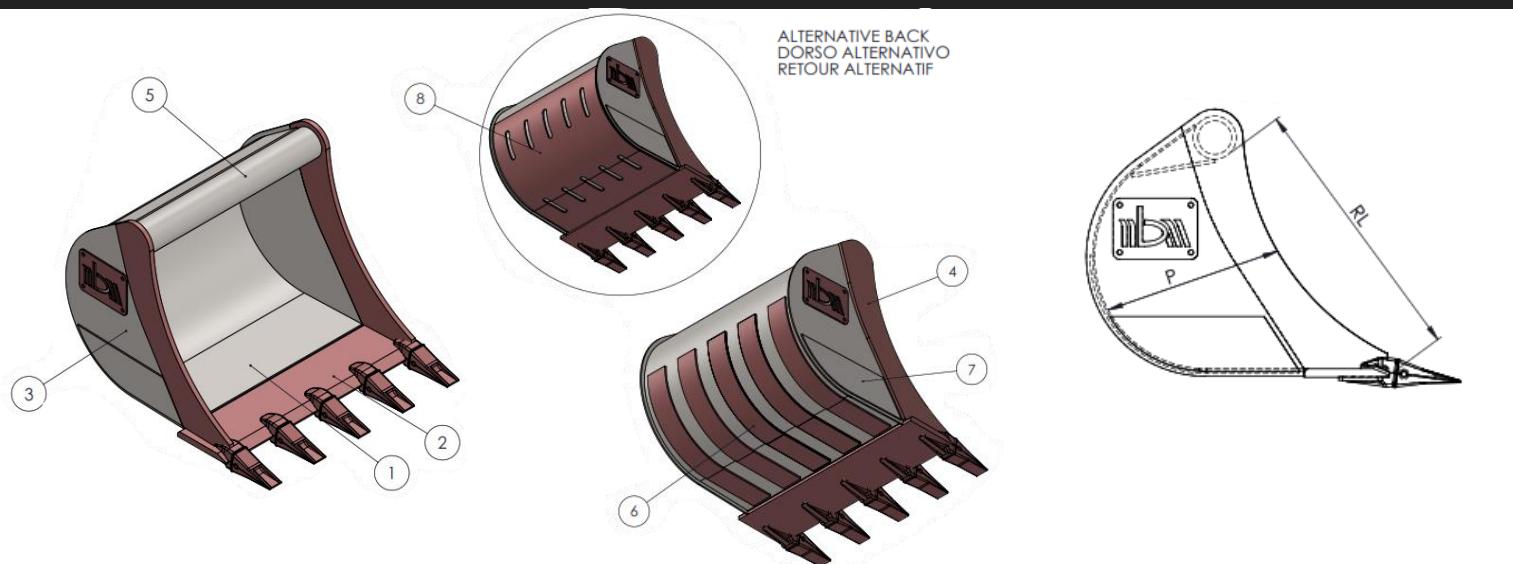
	1	2	3	4	5	6	V	8
	S355J0	HB400	S355J0	S355J0	S355J0	S355J0	S355J0	S355J0
	12	40	12	30	20	15	12	10
	CAT J350 - ESCO U35S - FEURST FK7 - COMBI R18							

NB 14 CLASS ST 31,1 - 38 TONS

CODE CODICE	WIDTH (MM) LARGHEZZA (MM)	TEETH NR NR DENTI	MASS (KC) MASSA (KG)	CAP SAE (L) CAP SAE (L)	RL (mm)	P (mm)
NB14ST800	800	3	983	861	1220	960
NB14ST900	900	4	1064	999		
NB14ST1000	1000	4	1138	1140		
NB14ST1200	1200	5	1221	1426		
NB14ST1300	1300	5	1285	1570		
NB14ST1400	1400	5	1349	1716		
NB14ST1500	1500	6	1413	1861		
NB14ST1600	1600	6	1479	2005		
NB14ST1700	1700	6	1546	2150		
NB14ST1800	1800	6	1615	2441		

HEAVY DUTY BUCKET

BENNA RINFORZATA - GODET HD



ALTERNATIVE BACK
DORSO ALTERNATIVO
RETOUR ALTERNATIF

MATERIAL - MATERIALE - MATÉRIEL THICKNESS (MM) - SPESSORE (MM) - ÉPAISSEUR (MM) TOOTH - DENTE - DENT

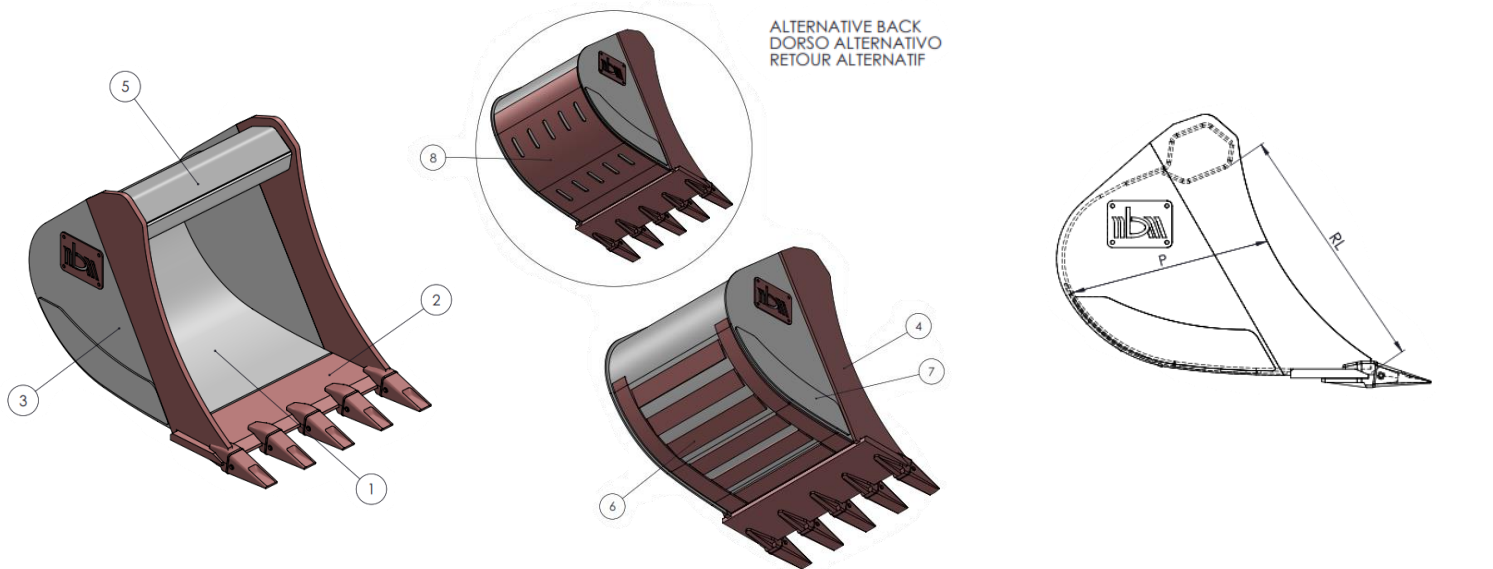
1	2	3	4	5	6		
S355J0	HB250	S355J0	HB400	S355J0	HB400	S355J0	HB400
6	25	6	20	Ø127X14	10	6	8
CAT J250 - ESCO U20 - FEURST FK3 - COMBI R10							

NB 08 CLASS HD 10,1 - 12,5 TONS

CODE CODICE	WIDTH (MM) LARGHEZZA (MM)	TEETH NR NR DENTI	MASS (KC) MASSA (KG)	CAP SAE (L) CAP SAE (L)	RL (mm)	P (mm)
NB08HD300	300	3	172	80	805	530
NB08HD400	400	3	196	120		
NB08HD500	500	3	219	165		
NB08HD600	600	4	249	209		
NB08HD700	700	4	272	259		
NB08HD800	800	4	296	310		
NB08HD900	900	5	324	362		
NB08HD1000	1000	5	349	413		
NB08HD1100	1100	6	378	465		
NB08HD1200	1200	6	402	517		

EXCAVATORS - ESCAVATORI - PELLER

HEAVY DUTY BUCKET - BENNA RINFORZATA - GODET HD



ALTERNATIVE BACK
DORSO ALTERNATIVO
RETOUR ALTERNATIF

MATERIAL - MATERIALE - MATÉRIEL THICKNESS (MM) - SPESSORE (MM) - ÉPAISSEUR (MM) TOOTH - DENTE - DENT

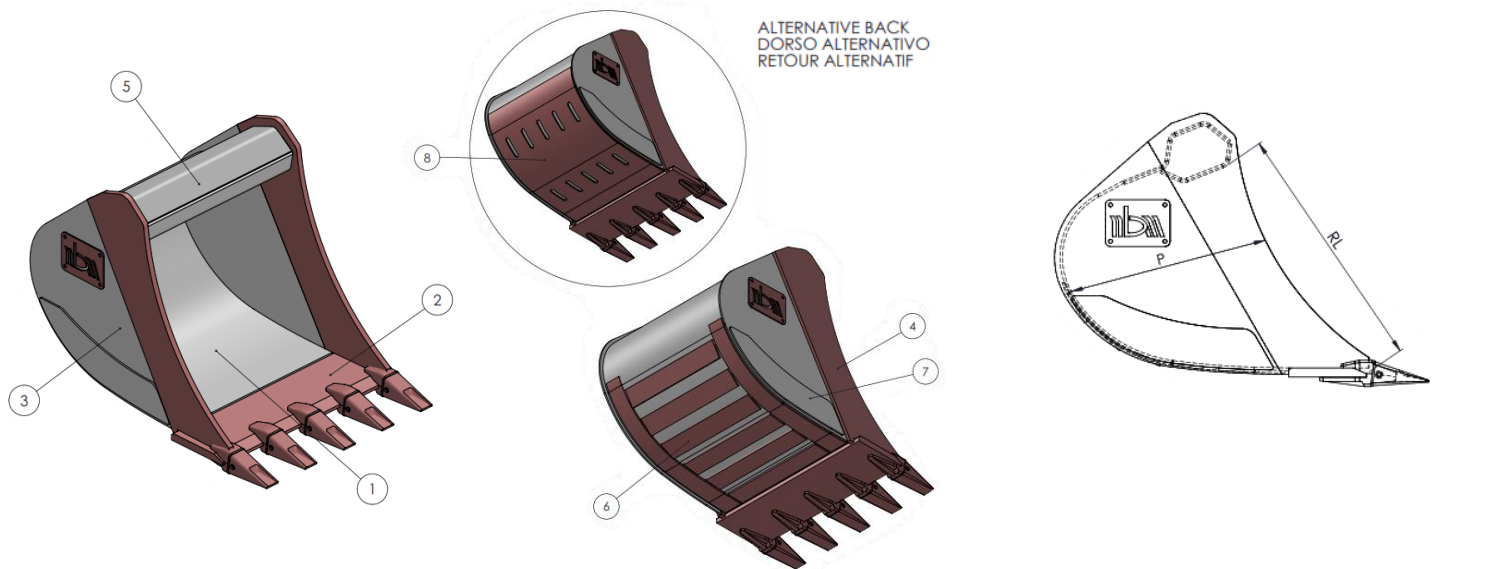
	1	2	3	4	5	6	V	8
	S355J0	HB400	S355J0	HB400	S355J0	HB400	S355J0	HB400
	8	30	8	20	12	10	8	8
	CAT J300 - ESCO U25 - FEURST FK4 - COMBI R14							

NB 09 CLASS HD 12,6 - 16 TONS

CODE CODICE	WIDTH (MM) LARGHEZZA (MM)	TEETH NR NR DENTI	MASS (KC) MASSA (KG)	CAP SAE (L) CAP SAE (L)	RL (mm)	P (mm)
NB09HD400	400	3	285	144	810	670
NB09HD500	500	3	313	202		
NB09HD600	600	3	340	262		
NB09HD700	700	4	378	325		
NB09HD800	800	4	405	388		
NB09HD900	900	4	432	453		
NB09HD1000	1000	5	471	517		
NB09HD1100	1100	5	500	582		
NB09HD1200	1200	6	537	647		
NB09HD1300	1300	6	565	712		

EXCAVATORS - ESCAVATORI - PELLER

HEAVY DUTY BUCKET - BENNA RINFORZATA - GODET HD



ALTERNATIVE BACK
DORSO ALTERNATIVO
RETOUR ALTERNATIF

MATERIAL - MATERIALE - MATÉRIEL THICKNESS (MM) - SPESSORE (MM) - ÉPAISSEUR (MM) TOOTH - DENTE - DENT

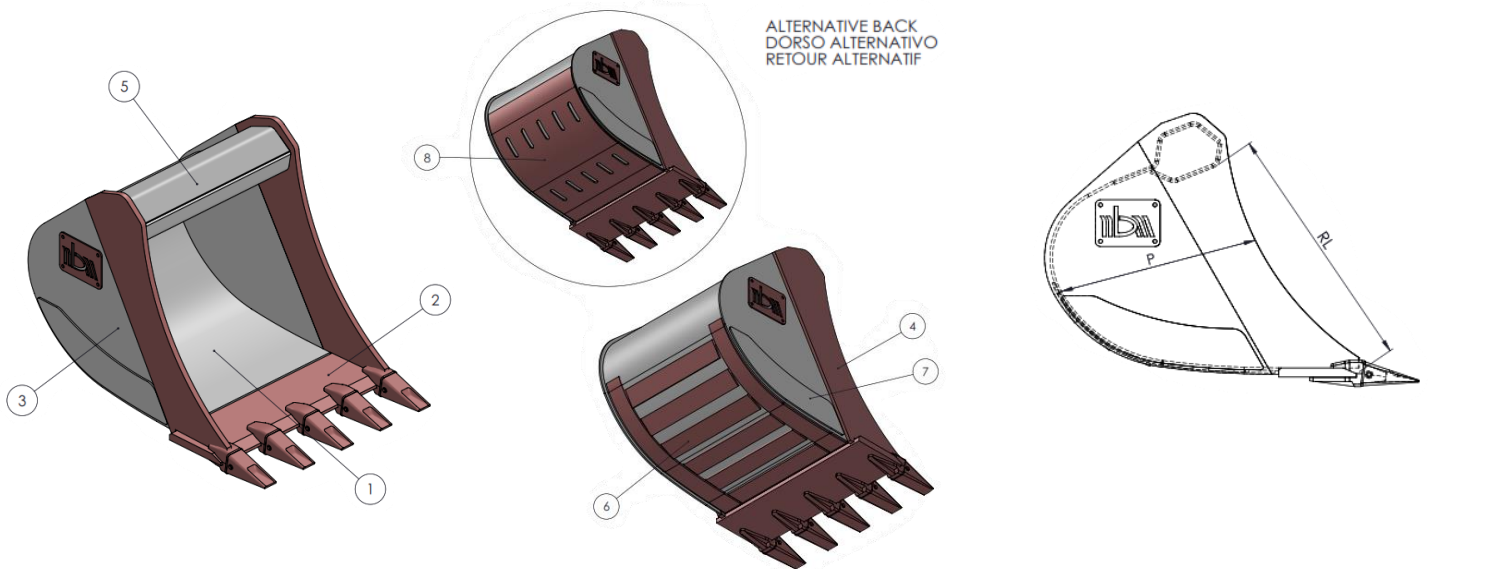
	1	2	3	4	5	6	V	8
	S355J0	HB400	S355J0	HB400	S355J0	HB400	S355J0	HB400
	8	30	8	20	15	10	8	8
	CAT J300 - ESCO U30 - FEURST FK5 - COMBI R14							

NB 10 CLASS HD 16,1 - 19 TONS

CODE CODICE	WIDTH (MM) LARGHEZZA (MM)	TEETH NR NR DENTI	MASS (KC) MASSA (KG)	CAP SAE (L) CAP SAE (L)	RL (mm)	P (mm)
NB10HD400	400	3	323	170	875	680
NB10HD500	500	3	345	232		
NB10HD600	600	3	380	297		
NB10HD750	750	3	438	374		
NB10HD850	850	3	474	443		
NB10HD900	900	4	500	514		
NB10HD1000	1000	4	545	586		
NB10HD1100	1100	5	578	660		
NB10HD1200	1200	5	610	734		
NB10HD1300	1300	5	662	809		
NB10HD1400	1400	5	727	885		

EXCAVATORS - ESCAVATORI - PELLE

HEAVY DUTY BUCKET - BENNA RINFORZATA - GODET HD



ALTERNATIVE BACK
DORSO ALTERNATIVO
RETOUR ALTERNATIF

MATERIAL - MATERIALE - MATÉRIEL THICKNESS (MM) - SPESSORE (MM) - ÉPAISSEUR (MM) TOOTH - DENTE - DENT

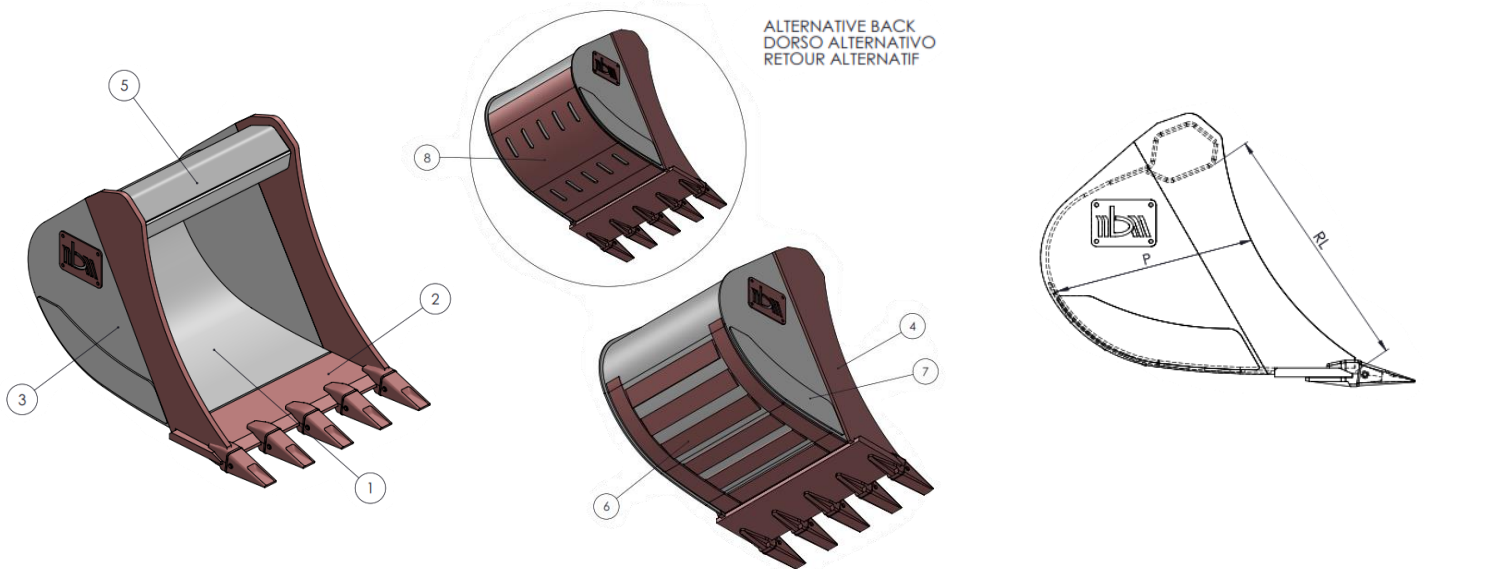
	1	2	3	4	5	6	V	8
	S355J0	HB400	S355J0	HB400	S355J0	HB400	S355J0	HB400
	10	35	8	25	15	12	8	10
	CAT J350 - ESCO U30 - FEURST FK5 - COMBI R14							

NB 11 CLASS HD 19,1 - 23 TONS

CODE CODICE	WIDTH (MM) LARGHEZZA (MM)	TEETH NR NR DENTI	MASS (KC) MASSA (KG)	CAP SAE (L) CAP SAE (L)	RL (mm)	P (mm)
NB11HD500	500	3	422	279	965	780
NB11HD600	600	3	463	357		
NB11HD700	700	3	521	436		
NB11HD800	800	4	603	535		
NB11HD900	900	4	626	619		
NB11HD1000	1000	4	704	704		
NB11HD1200	1200	5	783	882		
NB11HD1300	1300	5	822	971		
NB11HD1400	1400	5	861	1063		
NB11HD1500	1500	6	920	1153		

EXCAVATORS - ESCAVATORI - PELLES

HEAVY DUTY BUCKET - BENNA RINFORZATA - GODET HD



ALTERNATIVE BACK
DORSO ALTERNATIVO
RETOUR ALTERNATIF

MATERIAL - MATERIALE - MATÉRIEL THICKNESS (MM) - SPESSORE (MM) - ÉPAISSEUR (MM) TOOTH - DENTE - DENT

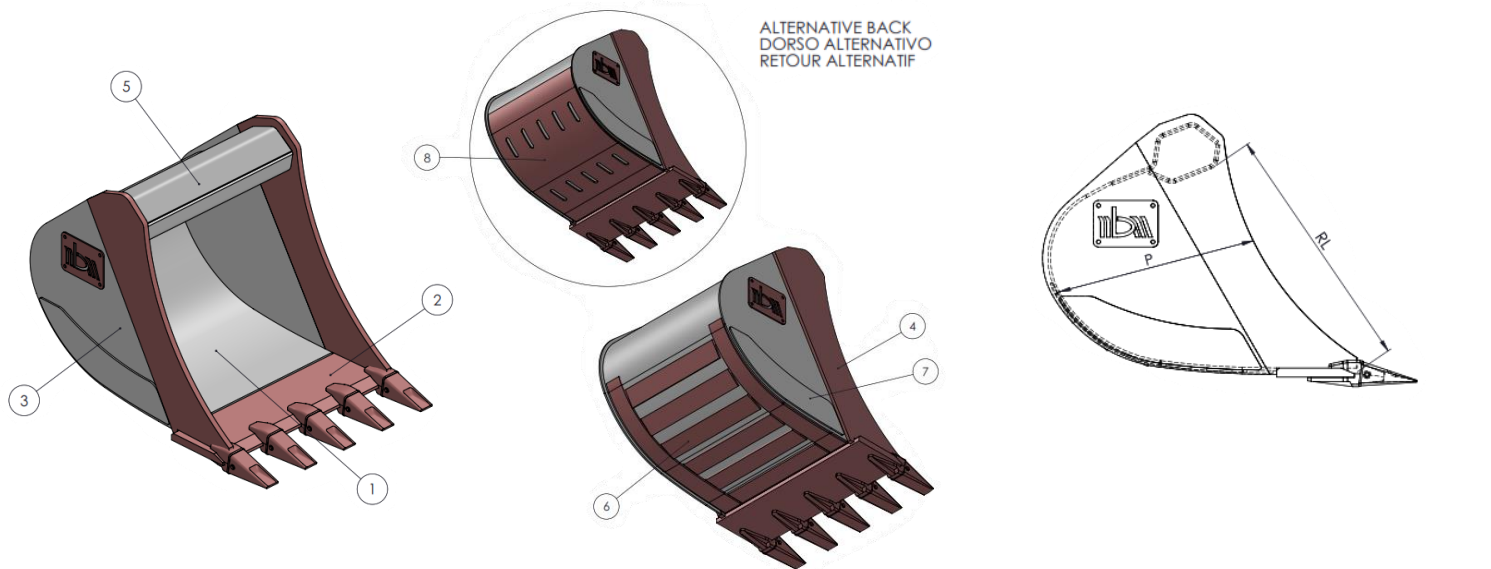
	1	2	3	4	5	6	V	8
	S355J0	HB400	S355J0	HB400	S355J0	HB400	S355J0	HB400
	10	35	10	25	15	12	10	10
	CAT J350 - ESCO U30 - FEURST FK7 - COMBI R14							

NB 12 CLASS HD 23,1 - 26 TONS

CODE CODICE	WIDTH (MM) LARGHEZZA (MM)	TEETH NR NR DENTI	MASS (KG) MASSA (KG)	CAP SAE (L) CAP SAE (L)	RL (mm)	P (mm)
NB12HD500	500	3	512	309	1110	880
NB12HD600	600	3	543	403		
NB12HD700	700	3	603	551		
NB12HD800	800	4	674	653		
NB12HD900	900	4	722	810		
NB12HD1000	1000	4	760	810		
NB12HD1200	1200	5	894	1023		
NB12HD1300	1300	5	917	1131		
NB12HD1400	1400	5	968	1238		
NB12HD1500	1500	6	1023	1346		
NB12HD1600	1600	6	1108	1453		

EXCAVATORS - ESCAVATORI - PELLES

HEAVY DUTY BUCKET - BENNA RINFORZATA - GODET HD



ALTERNATIVE BACK
DORSO ALTERNATIVO
RETOUR ALTERNATIF

MATERIAL - MATERIALE - MATÉRIEL THICKNESS (MM) - SPESSORE (MM) - ÉPAISSEUR (MM) TOOTH - DENTE - DENT

	1	2	3	4	5	6	V	8
	S355J0	HB400	S355J0	HB400	S355J0	HB400	S355J0	HB400
	10	40	10	30	15	12	12	10
	CAT J400 - ESCO U35 - FEURST FK7 - COMBI R18							

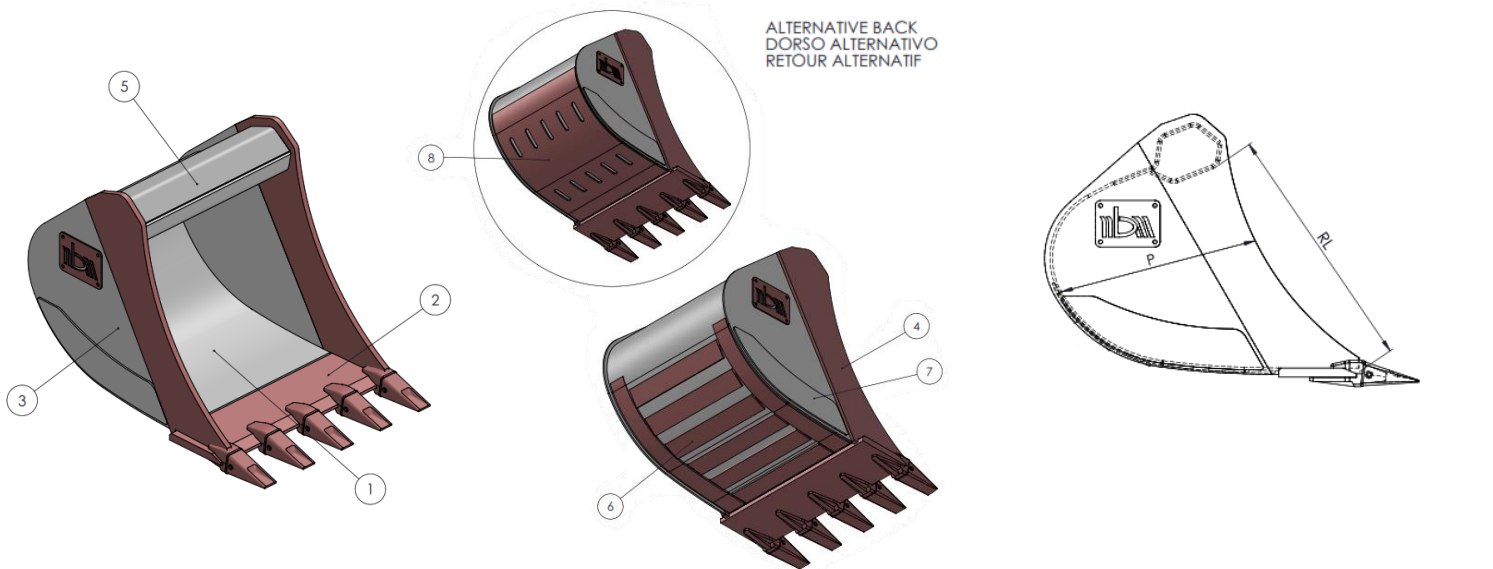
NB 13 CLASS HD

26,1 - 31 TONS

CODE CODICE	WIDTH (MM) LARGHEZZA (MM)	TEETH NR NR DENTI	MASS (KG) MASSA (KG)	CAP SAE (L) CAP SAE (L)	RL (mm)	P (mm)
NB13HD600	600	3	762	510	1170	895
NB13HD700	700	3	826	626		
NB13HD800	800	3	903	782		
NB13HD900	900	4	973	892		
NB13HD1000	1000	4	1049	1015		
NB13HD1200	1200	5	1139	1266		
NB13HD1300	1300	5	1205	1393		
NB13HD1400	1400	5	1236	1520		
NB13HD1500	1500	6	1309	1660		
NB13HD1600	1600	6	1354	1800		
NB13HD1700	1700	6	1413	1920		

EXCAVATORS - ESCAVATORI - PELLER

HEAVY DUTY BUCKET - BENNA RINFORZATA - GODET HD



ALTERNATIVE BACK
DORSO ALTERNATIVO
RETOUR ALTERNATIF

MATERIAL - MATERIALE - MATÉRIEL THICKNESS (MM) - SPESSORE (MM) - ÉPAISSEUR (MM) TOOTH - DENTE - DENT

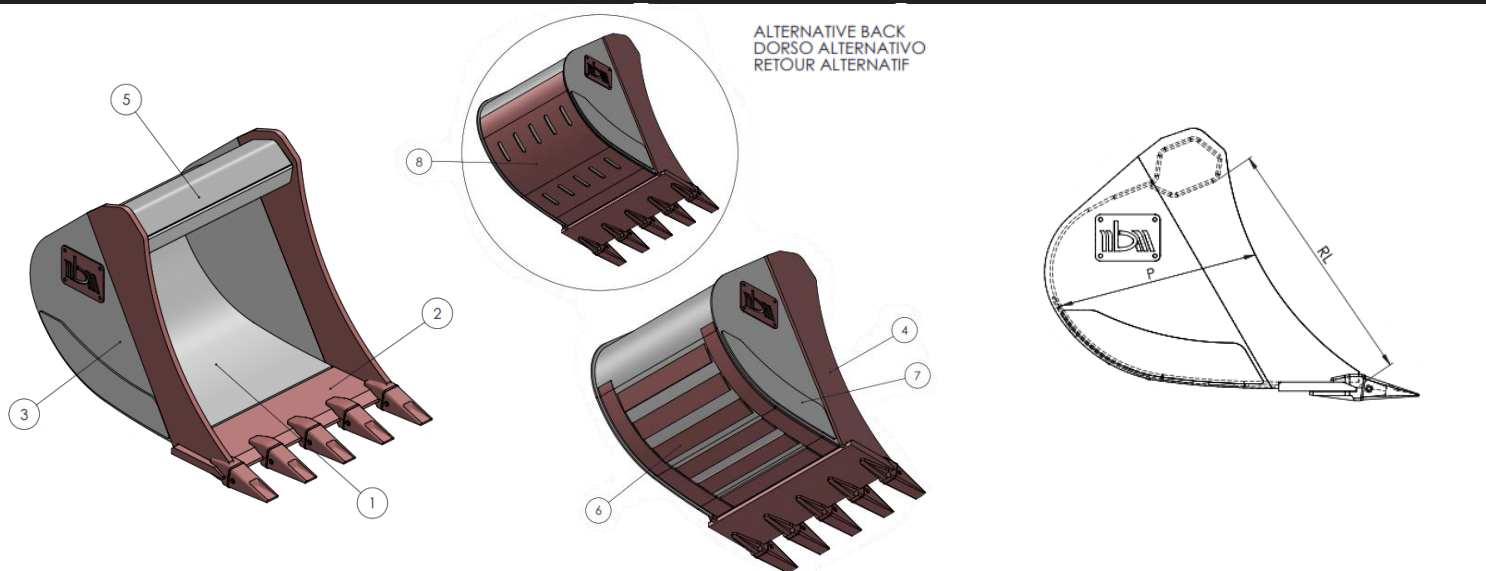
	1	2	3	4	5	6	V	8
	S355J0	HB400	S355J0	HB400	S355J0	HB400	S355J0	HB400
	12	40	12	30	20	15	12	10
	CAT J400 - ESCO U40 - FEURST FK9 - COMBI R18							

NB 14 CLASS HD 31,1 - 38 TONS

CODE CODICE	WIDTH (MM) LARGHEZZA (MM)	TEETH NR NR DENTI	MASS (KC) MASSA (KG)	CAP SAE (L) CAP SAE (L)	RL (mm)	P (mm)
NB14HD800	800	3	1012	861	1220	960
NB14HD900	900	4	1093	999		
NB14HD1000	1000	4	1167	1140		
NB14HD1200	1200	5	1259	1426		
NB14HD1300	1300	5	1323	1570		
NB14HD1400	1400	5	1387	1716		
NB14HD1500	1500	6	1451	1861		
NB14HD1600	1600	6	1524	2005		
NB14HD1700	1700	6	1591	2150		
NB14HD1800	1800	6	1660	2441		

EXCAVATORS - ESCAVATORI - PELLE

HEAVY DUTY BUCKET - BENNA RINFORZATA - GODET HD



ALTERNATIVE BACK
DORSO ALTERNATIVO
RETOUR ALTERNATIF

■ MATERIAL - MATERIALE - MATÉRIEL
 ■ THICKNESS (MM) - SPESSORE (MM) - ÉPAISSEUR (MM)
 ■ TOOTH - DENTE - DENT

	1	2	3	4	5	6	V	8
■	S355J0	HB400	S355J0	HB400	S355J0	HB400	S355J0	HB400
■	12	40	12	30	20	15	12	12
■	CAT J400 - ESCO U40 - FEURST FK9 - COMBI R23							

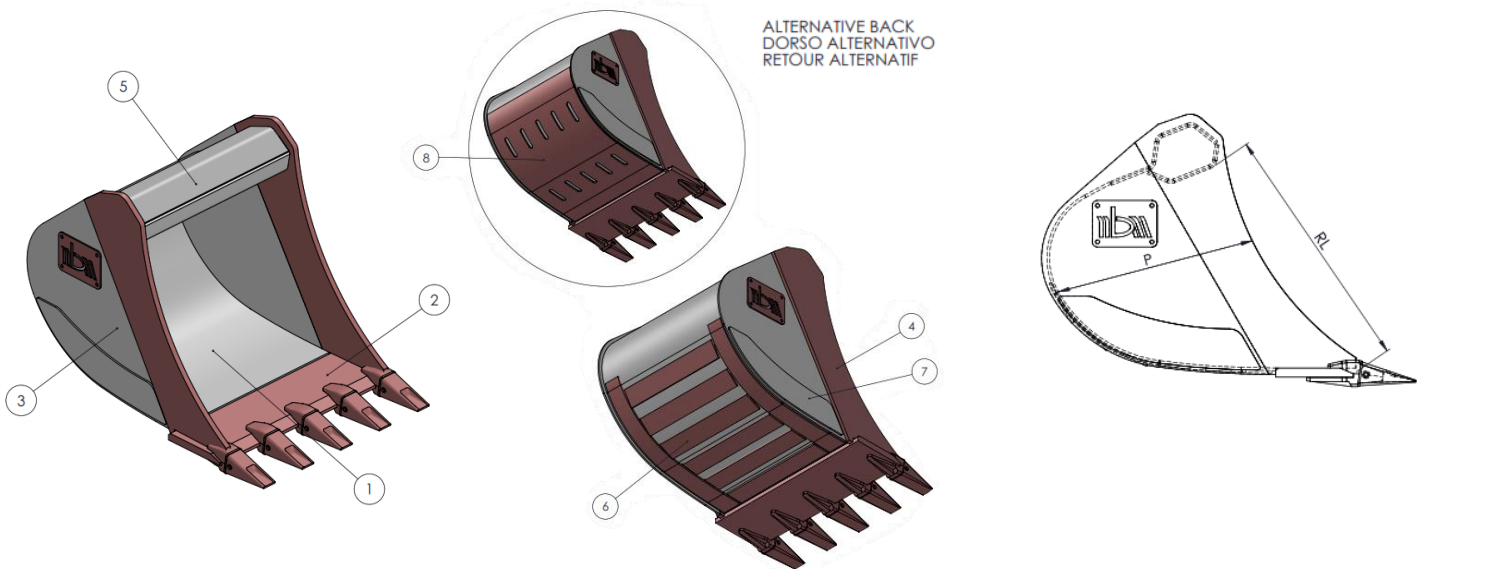
NB 15 CLASS HD

38,1 - 43 TONS

CODE CODICE	WIDTH (MM) LARGHEZZA (MM)	TEETH NR NR DENTI	MASS (KC) MASSA (KG)	CAP SAE (L) CAP SAE (L)	RL (mm)	P (mm)
NB15HD800	800	3	1184	922	1325	1020
NB15HD1000	1000	4	1308	1229		
NB15HD1200	1200	4	1459	1546		
NB15HD1300	1300	5	1521	1707		
NB15HD1400	1400	5	1583	1869		
NB15HD1500	1500	5	1645	2030		
NB15HD1600	1600	5	1734	2192		
NB15HD1700	1700	6	1790	2354		
NB15HD1800	1800	6	1861	2516		
NB15HD2000	2000	6	1970	2840		

EXCAVATORS - ESCAVATORI - PELLES

HEAVY DUTY BUCKET - BENNA RINFORZATA - GODET HD



ALTERNATIVE BACK
DORSO ALTERNATIVO
RETOUR ALTERNATIF

MATERIAL - MATERIALE - MATÉRIEL THICKNESS (MM) - SPESSORE (MM) - ÉPAISSEUR (MM) TOOTH - DENTE - DENT

	1	2	3	4	5	6	V	8
	S355J0	HB400	S355J0	HB400	S355J0	HB400	S355J0	HB400
	12	50	12	40	20	20	12	12
	CAT J460 - ESCO U45 - FEURST FK11 - COMBI R23							

NB 16 CLASS HD 43,1 - 55 TONS

CODE CODICE	WIDTH (MM) LARGHEZZA (MM)	TEETH NR NR DENTI	MASS (KC) MASSA (KG)	CAP SAE (L) CAP SAE (L)	RL (mm)	P (mm)
NB16HD1200	1200	4	1988	1765	1430	1130
NB16HD1300	1300	5	2070	1953		
NB16HD1400	1400	5	2134	2142		
NB16HD1500	1500	5	2238	2333		
NB16HD1600	1600	5	2366	2525		
NB16HD1700	1700	6	2450	2716		
NB16HD1800	1800	6	2532	2907		
NB16HD2000	2000	6	2744	3290		
NB16HD2100	2100	6	2828	3481		
NB16HD2200	2200	6	2912	3672		